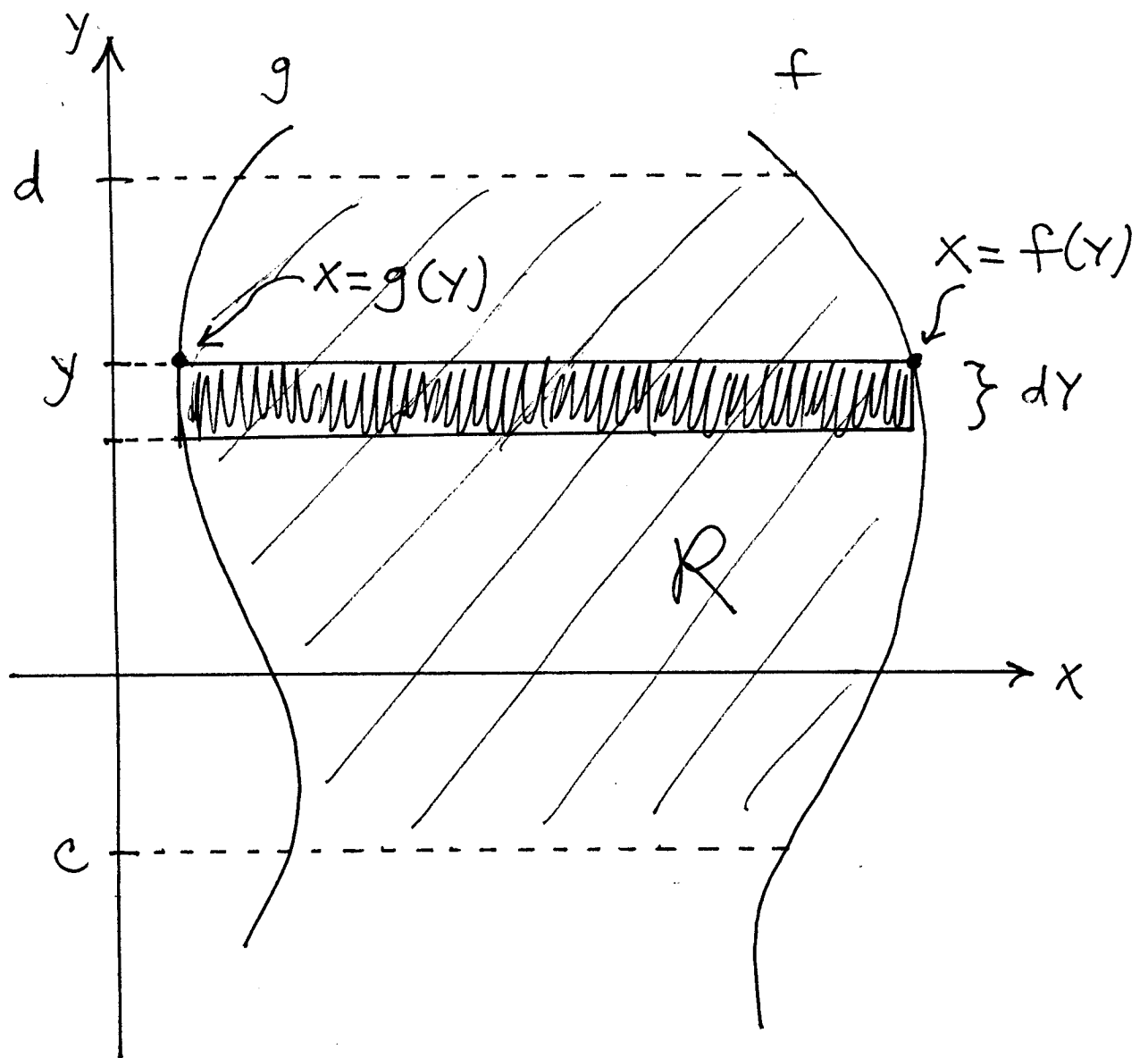


AREA — Horizontal Cross-Sections



area of thin \square is $(f(y) - g(y)) \cdot dy$,
so area of region R is

$$\text{AREA} = \int_c^d (f(y) - g(y)) dy$$

↑
RIGHT

↑
LEFT