

1.) (10 pts.) Determine the center and radius of the circle given by : $x^2 - 2x + y^2 + 6y = -6$

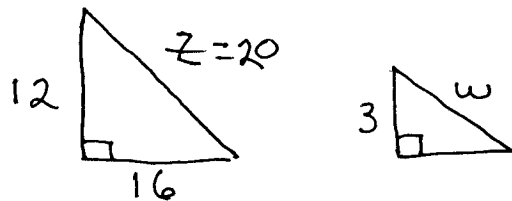
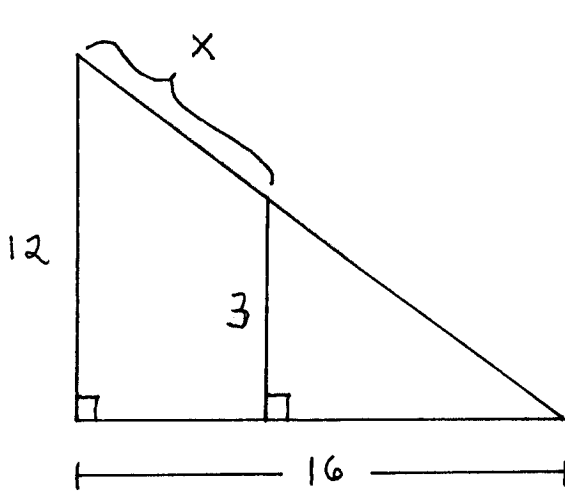
$$x^2 - 2x + 1 + y^2 + 6y + 9 = -6 + 1 + 9 \rightarrow$$

$$(x-1)^2 + (y+3)^2 = 4 = 2^2 \rightarrow$$

center : $(1, -3)$

radius : $r = 2$

2.) (10 pts.) Solve for x in the following diagram :



$$12^2 + 16^2 = z^2 \rightarrow 144 + 256 = z^2$$

$$\rightarrow z^2 = 400 \rightarrow z = 20 ;$$

$$\frac{20}{12} = \frac{w}{3} \rightarrow 60 = 12w \rightarrow$$

$$w = 5 \rightarrow x = 20 - 5 \rightarrow \boxed{x = 15}$$

3.) (10 pts.) Let $f(x) = \frac{3}{x+4}$ and $g(x) = \frac{x}{1-x}$. Find and simplify the functional composition $f(g(x))$.

$$f(g(x)) = \frac{3}{g(x)+4} = \frac{3}{\frac{x}{1-x} + 4} \cdot \frac{1-x}{1-x}$$

$$= \frac{3(1-x)}{\frac{x}{1-x} \cdot (1-x) + 4(1-x)} = \frac{3-3x}{x+4-4x} = \frac{3-3x}{4-3x}$$